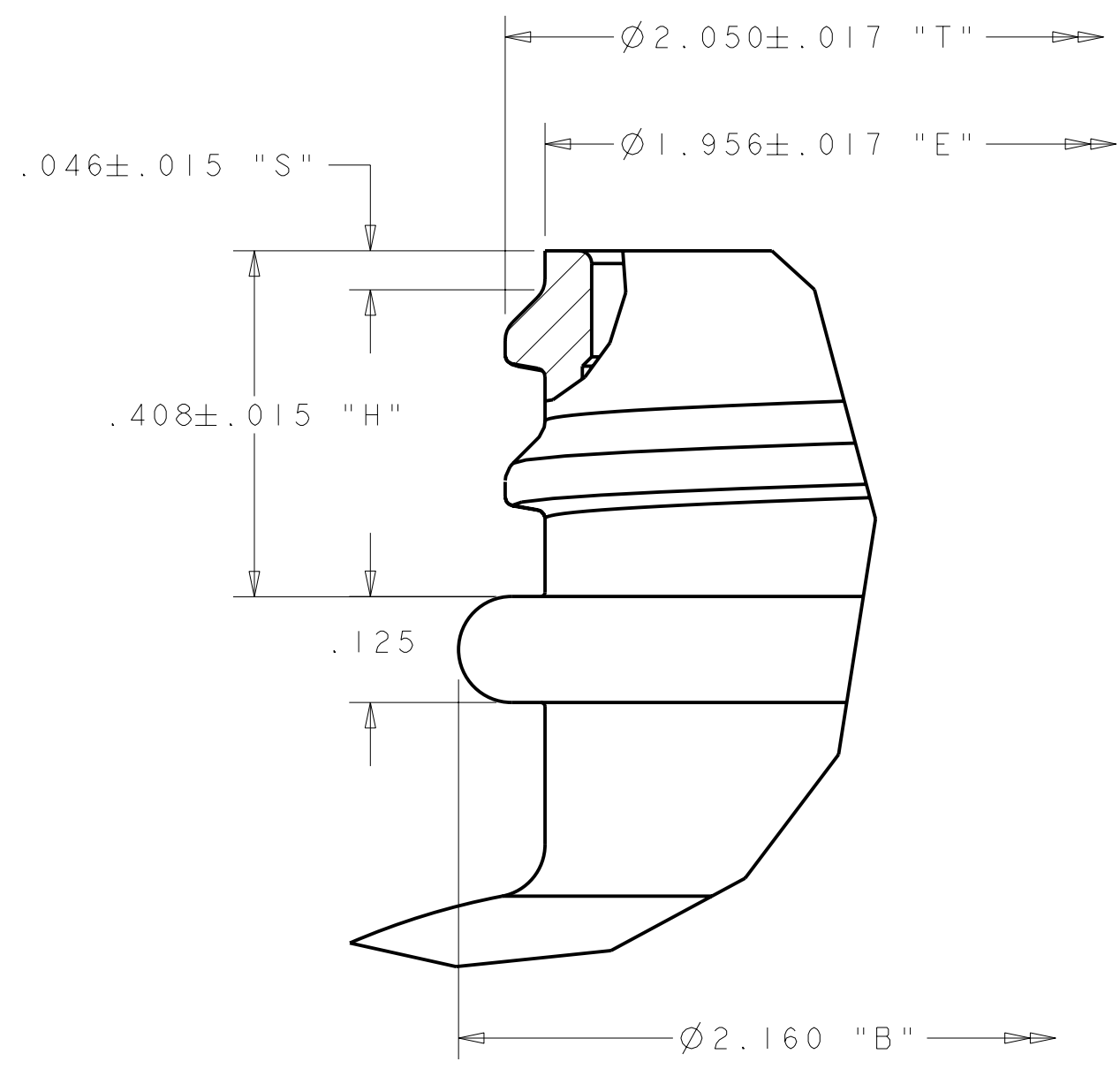
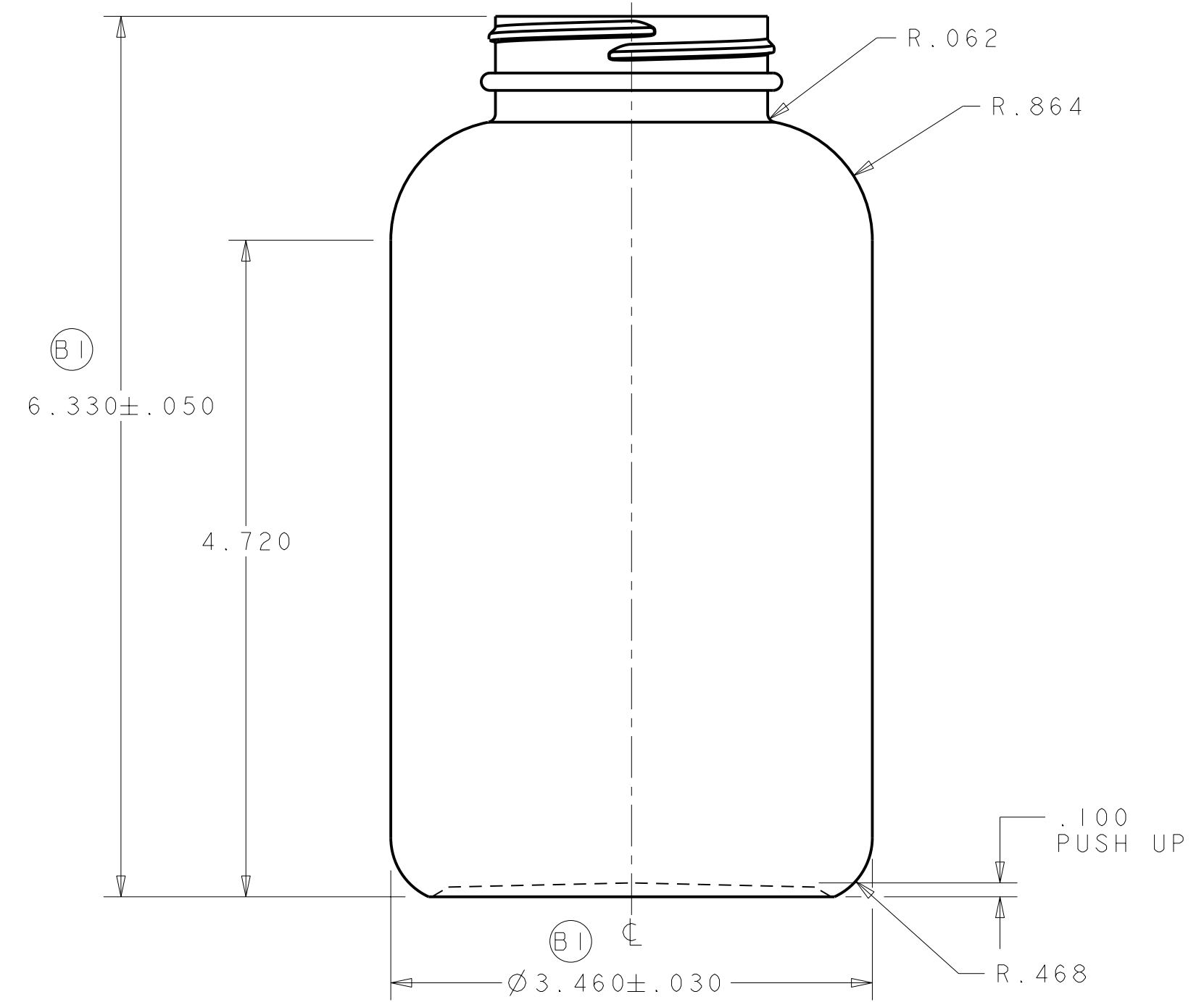
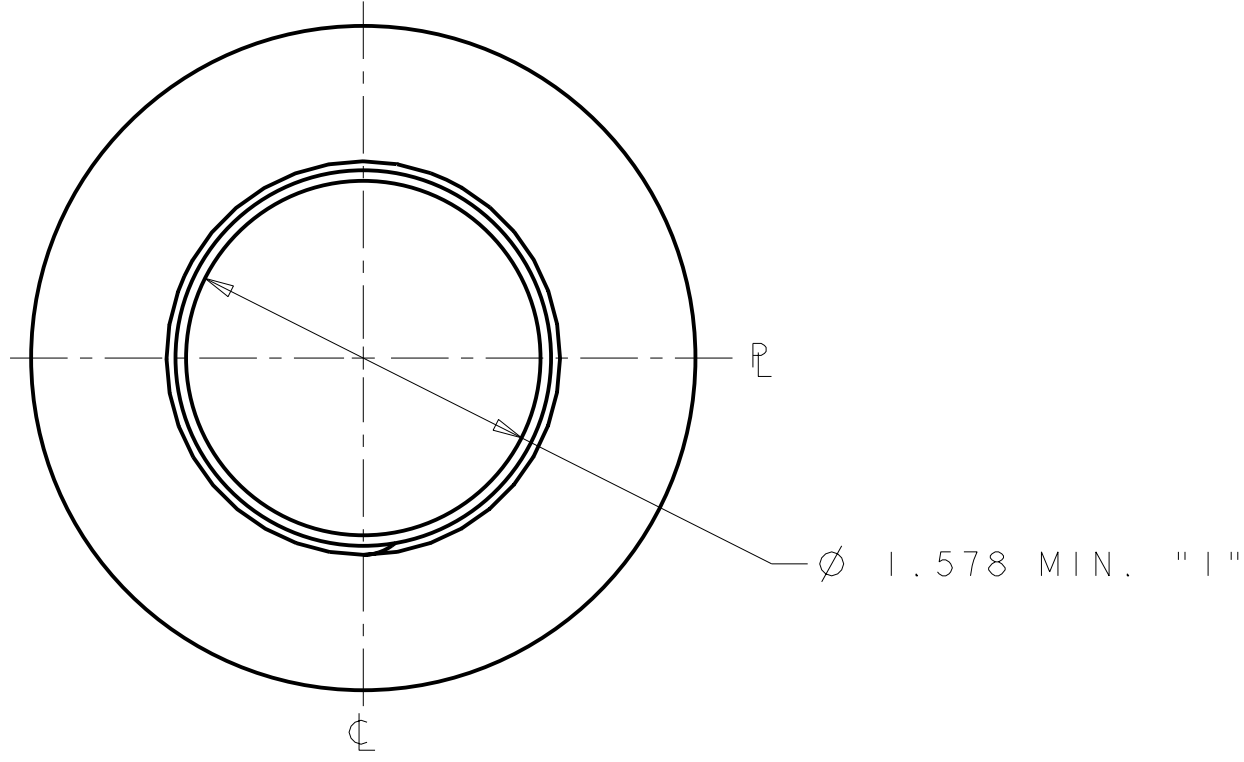
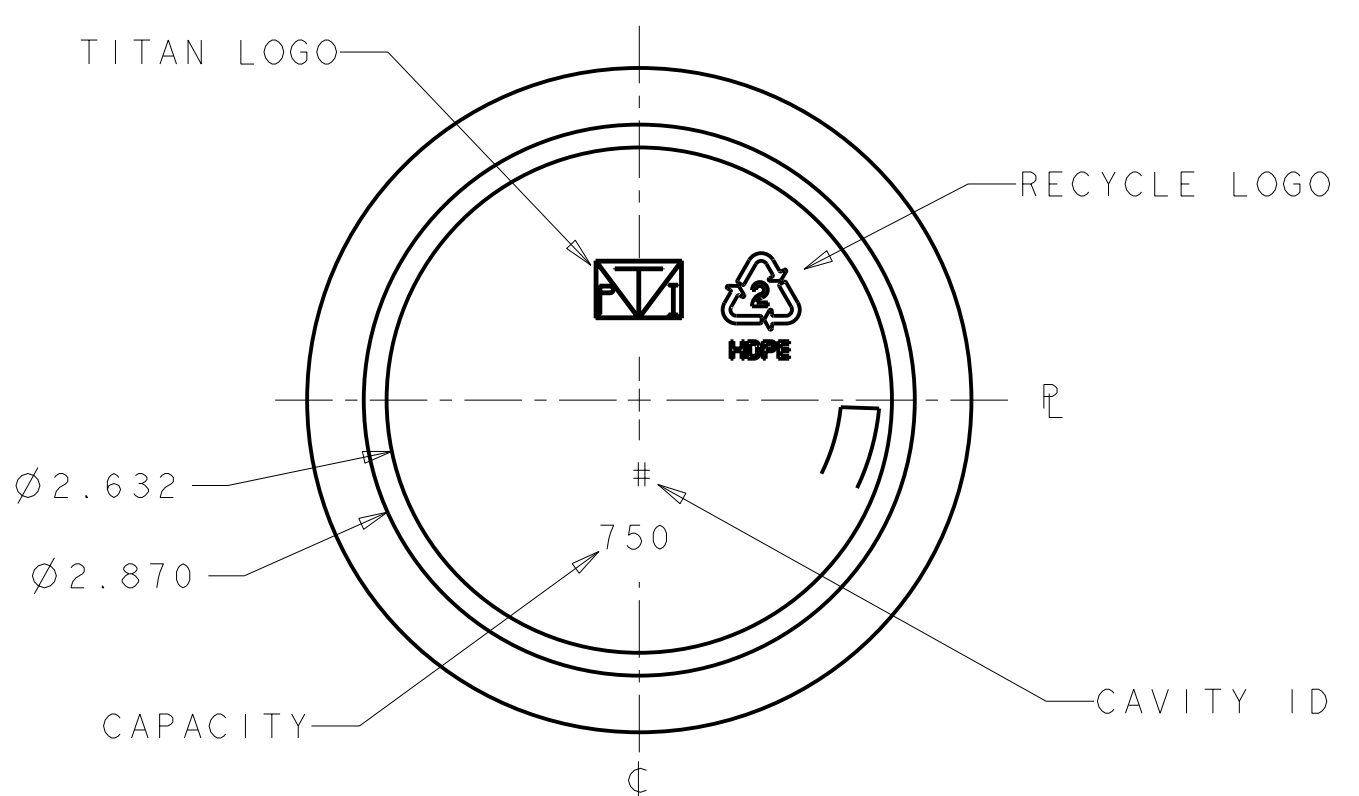


NOTICE
 INFORMATION CONTAINED HEREIN CONSTITUTES PROPRIETARY CONFIDENTIAL AND TRADE SECRET INFORMATION OF OWENS-ILLINOIS, INC., AND IS TO BE ACCEPTED SUBJECT TO THAT UNDERSTANDING. IT IS TO BE KEPT CONFIDENTIAL AND NOT TO BE COPIED, USED OR CONVEYED TO OTHERS WITHOUT OWENS-ILLINOIS' WRITTEN AUTHORIZATION.

DRAWING NO. C-I-75788-01A-00		REV. B
REVISIONS		
A	A1 ADDED SHEET 2	IDT 02-15-02
B	B1 WAS ±.060 B2 MOVED TO NOTE 4 B3 WAS 812.4 CC / 27.46 FL OZ	IDT 03-19-02



FINISH DETAIL
 SCALE 5:1



- NOTES
- 1) NECK FINISH - M53SP400 6 T.P.I. 1 FULL TURN OF THREAD
 - 2) MIN. WALL .015
 - 3) REF. TITAN DWG. # B-10-92-14
 - 4) 45.9 NAT/47.1 WHT GRAMS ± 2.5

ALL DIMENSIONS ARE REPRESENTATIVE ONLY! FINAL SIZES TO BE DETERMINED AFTER CONTAINERS ARE MANUFACTURED.

"REFERENCE PRODUCT CENTER FOR CURRENT DRAWING"

DIMENSIONS NOT TOLERANCED ARE PER S.P.I. STANDARDS

DIMENSIONAL TOLERANCES UNLESS OTHERWISE SPECIFIED ±.030 HEIGHT ±.030 BODY
 NOTE: DIMENSIONAL TOLERANCES DO NOT APPLY TO FINISH DIMENSIONS OR TO LOCATION OF FILL POINT

(B2)	HDPE	805.0 ± 15.0 CC 27.22 ± .51 FL OZ	CC FL OZ
WEIGHT GRAMS	MATERIAL	OVERFLOW AS MOLDED: TREAT ONLY, PAPER LABEL, UV SILKSCREEN, IML, HOT STAMP, PRESSURE SENSITIVE	OVERFLOW AFTER PRE & POST FLAME: HEAT TRANSFER LABEL, SILKSCREEN OVENS
MOLD NO.	I-75788	DRAWING NO.	C-I-75788-01A-00
REV	B	REV	B

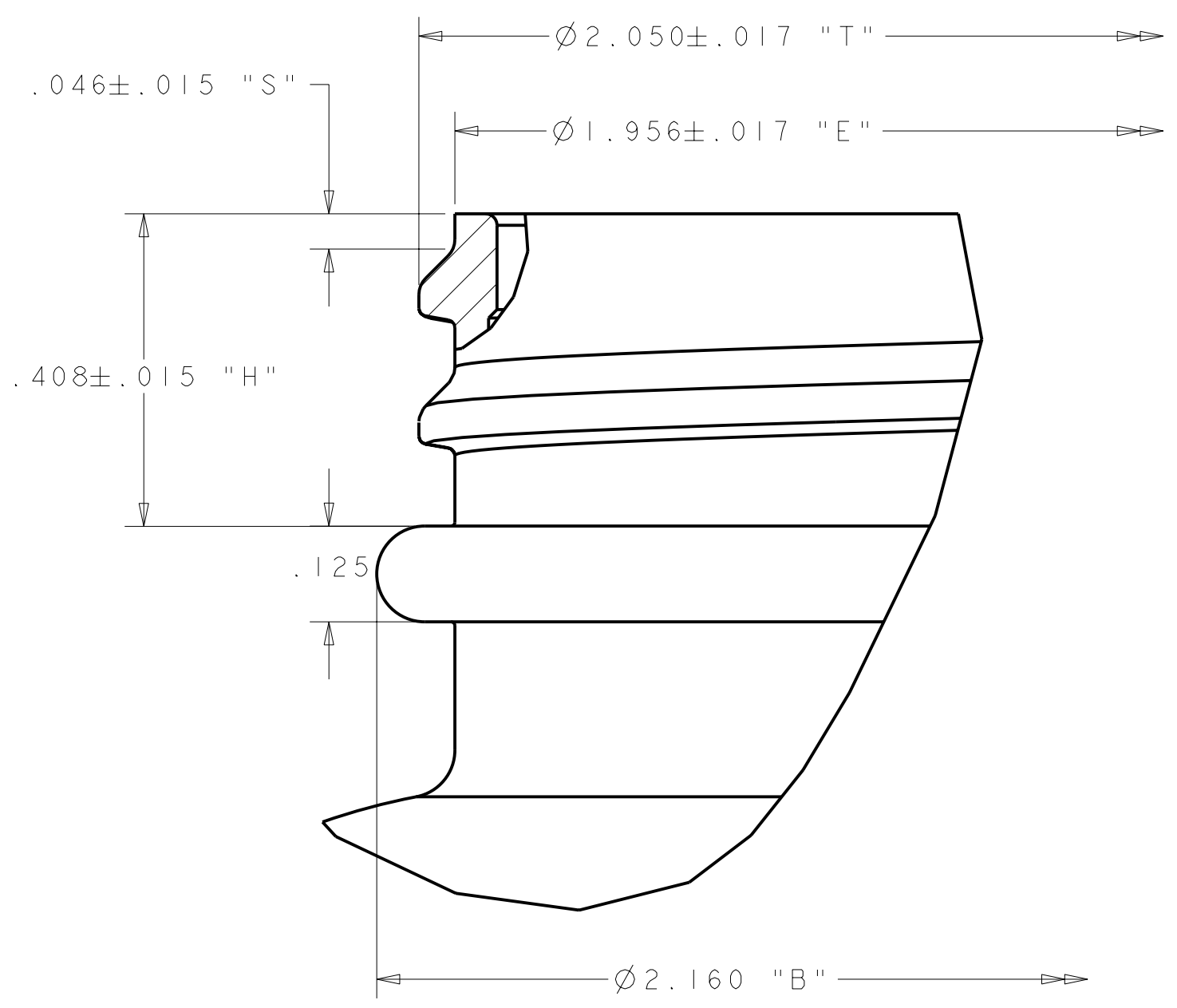
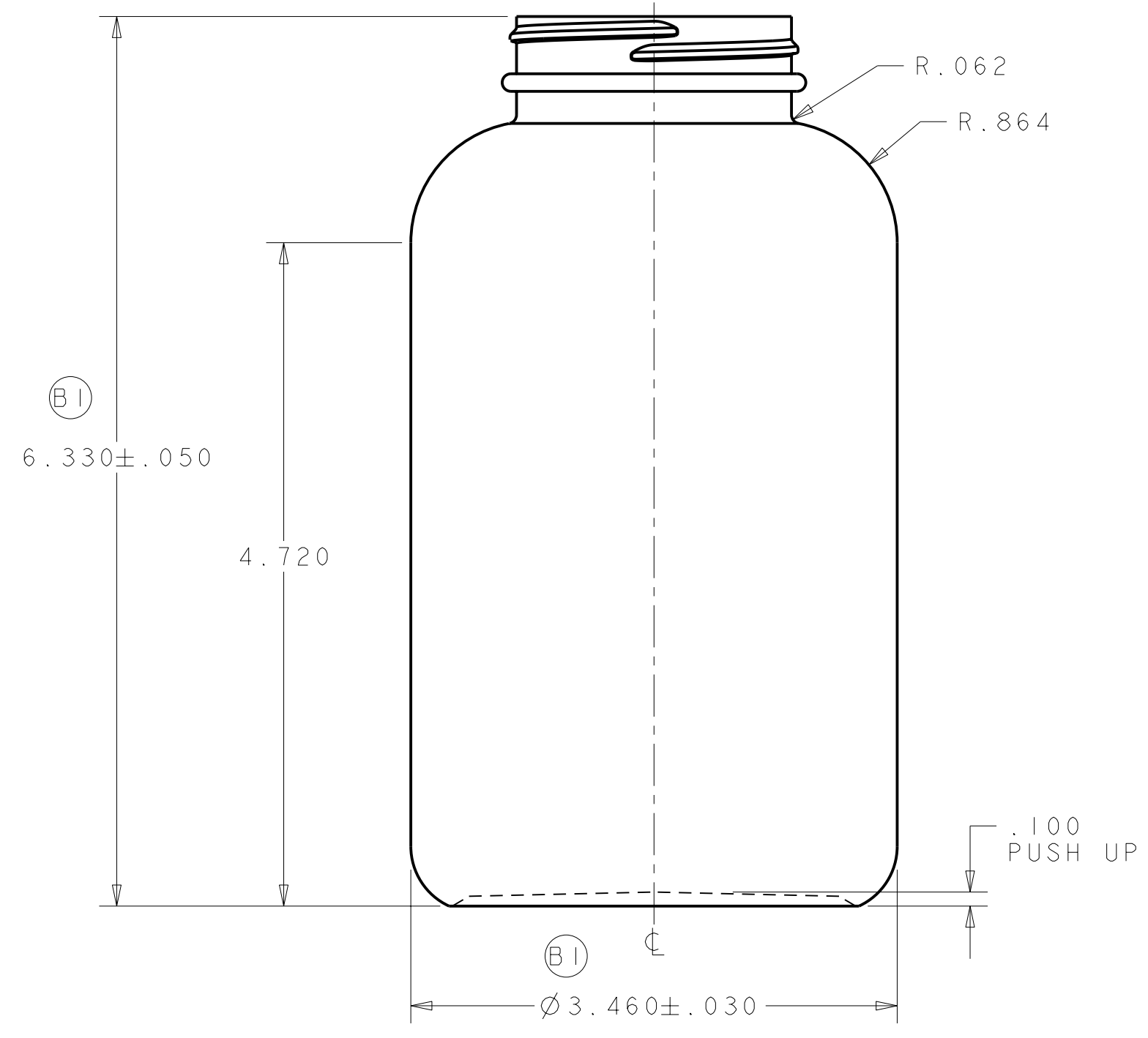
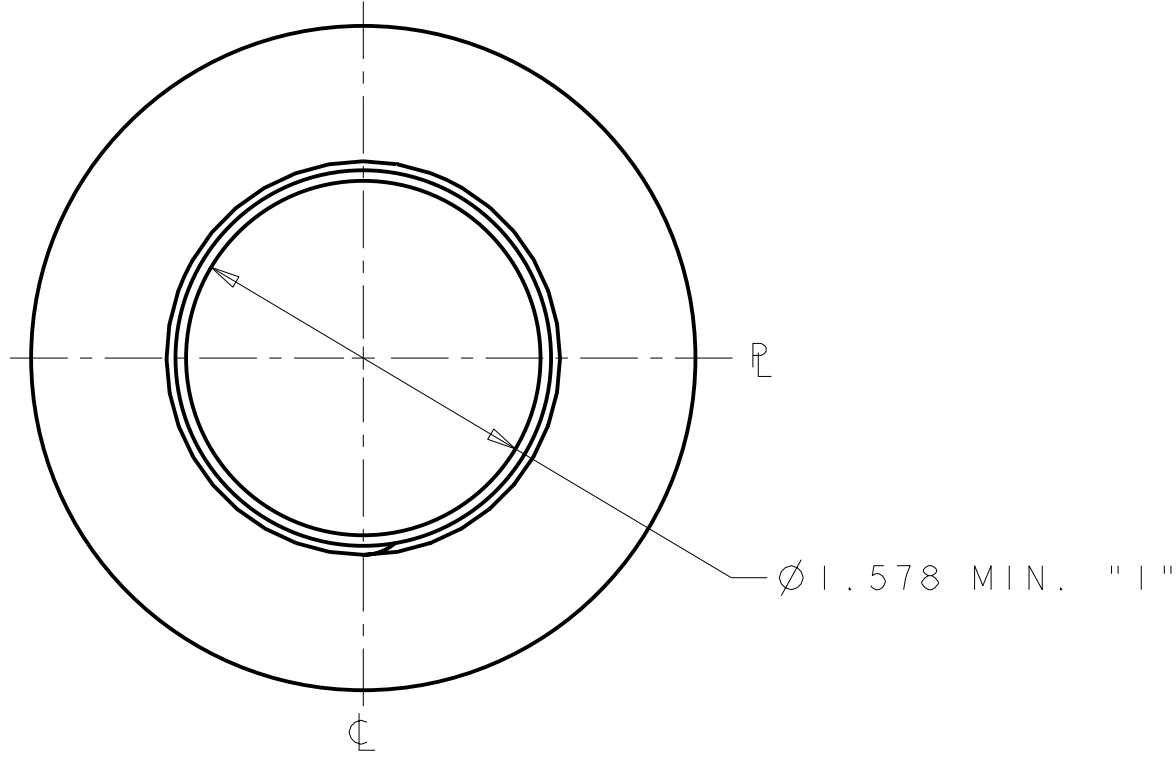
OWENS BROCKWAY
750 CC
WIDE MOUTH ROUND

PART LIB: CMS	DESIGNER I TRENT & DATE 12-13-01
DESIGN AUTHORIZATION	P.D.E. B MATTISON

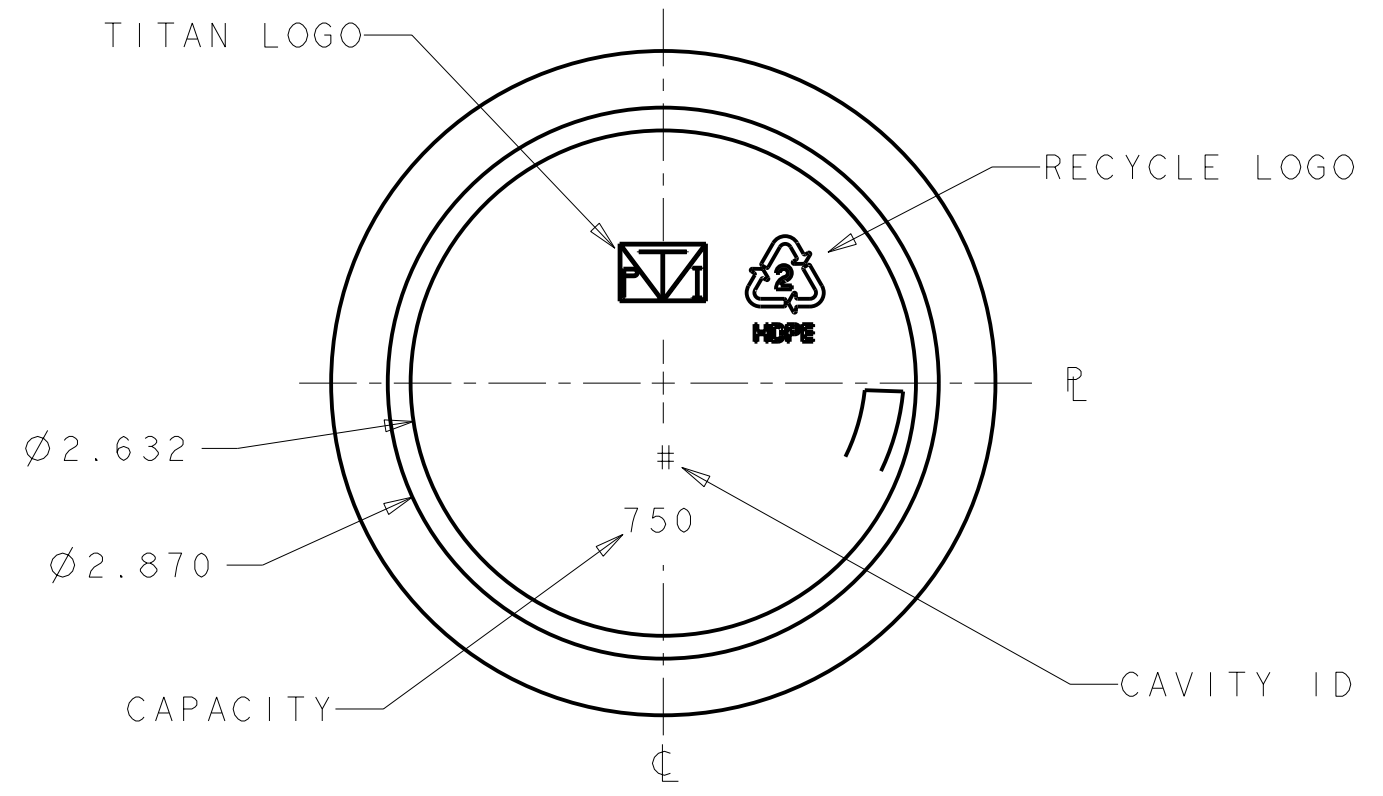
OWENS-ILLINOIS
Plastics Group
Container

NOTICE
 INFORMATION CONTAINED HEREIN CONSTITUTES PROPRIETARY CONFIDENTIAL AND TRADE SECRET INFORMATION OF TITAN PLASTICS, AND IS TO BE ACCEPTED SUBJECT TO THAT UNDERSTANDING. IT IS TO BE KEPT CONFIDENTIAL AND NOT TO BE COPIED, USED OR CONVEYED TO OTHERS WITHOUT TITAN PLASTICS' WRITTEN AUTHORIZATION.

DRAWING NO. C-11-750-53		REV. B
REVISIONS		
A	A1 ADDED SHEET 2	IDT 02-15-02
B	B1 WAS ±.060 B2 MOVED TO NOTE 4 B3 WAS 812.4 CC / 27.46 FL OZ	IDT 03-19-02



FINISH DETAIL
 SCALE 5:1



- NOTES
- 1) NECK FINISH - M53SP400 6 T.P.I.
1 FULL TURN OF THREAD
 - 2) MIN. WALL .015
 - 3) REF. TITAN DWG. # B-10-92-14
 - 4) 45.9 NAT/47.1 WHT GRAMS±2.5

ALL DIMENSIONS ARE REPRESENTATIVE ONLY!
 FINAL SIZES TO BE DETERMINED AFTER CONTAINERS ARE MANUFACTURED.

DIMENSIONS NOT TOLERANCED ARE PER S.P.I. STANDARDS
 DIMENSIONAL TOLERANCES UNLESS OTHERWISE SPECIFIED ±.030 HEIGHT ±.030 BODY
 NOTE: DIMENSIONAL TOLERANCES DO NOT APPLY TO FINISH DIMENSIONS OR TO LOCATION OF FILL POINT

②	HDPE	805.0±15.0 CC 27.22±.51 FL OZ	CC FL OZ
WEIGHT GRAMS	MATERIAL	OVERFLOW AS MOLDED: TREAT ONLY, PAPER LABEL, UV SILKSCREEN, IML, HOT STAMP, PRESSURE SENSITIVE	OVERFLOW AFTER PRE & POST FLAME: HEAT TRANSFER LABEL, SILKSCREEN OVENS
MOLD NO. I-75788	DRAWING NO. C-11-750-53	REV. B	

**750 CC
 WIDE MOUTH ROUND**

PART LIB: CMS	DESIGNER & DATE: I TRENT 12-13-01
DESIGN AUTHORIZATION	P.D.E.: B MATTISON

TITAN PLASTICS