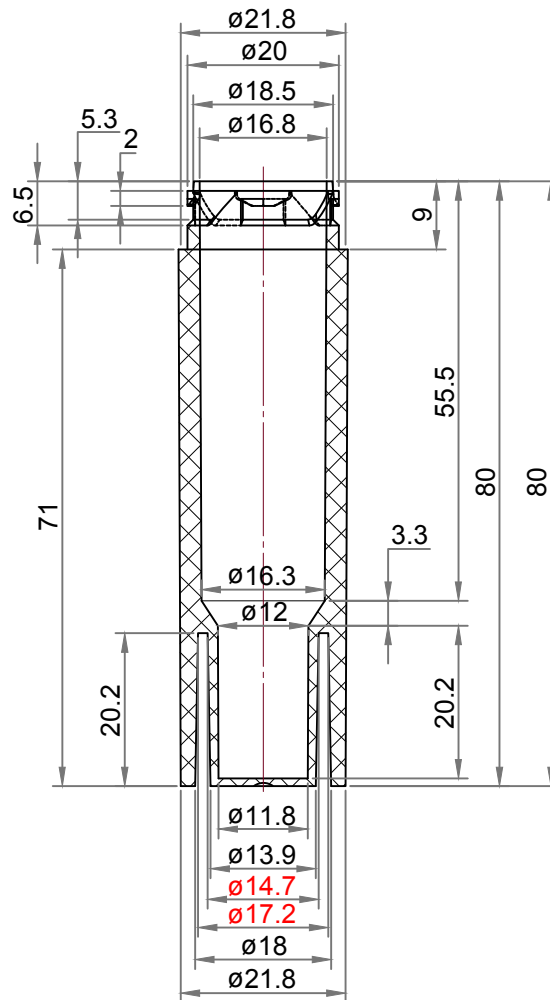


Stand Up Cartridge Holder

Certified Child Resistant (Patent #D862,795 S)



TITLE:	Stand Up Cartridge Holder - Child Resistant
CAPACITY:	3"
RESIN:	Polystyrene (PS)
WEIGHT:	14 grams
CHILD RESISTANT:	<input checked="" type="checkbox"/> Yes <input type="checkbox"/> No