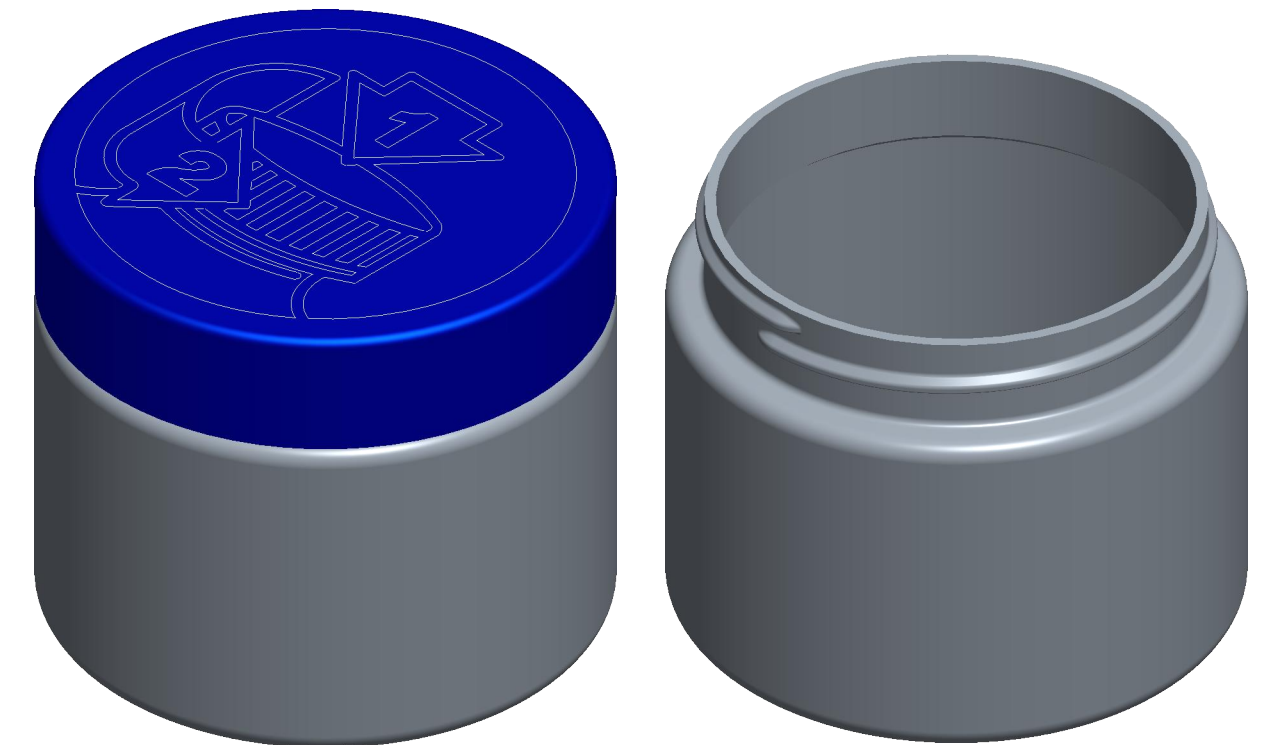
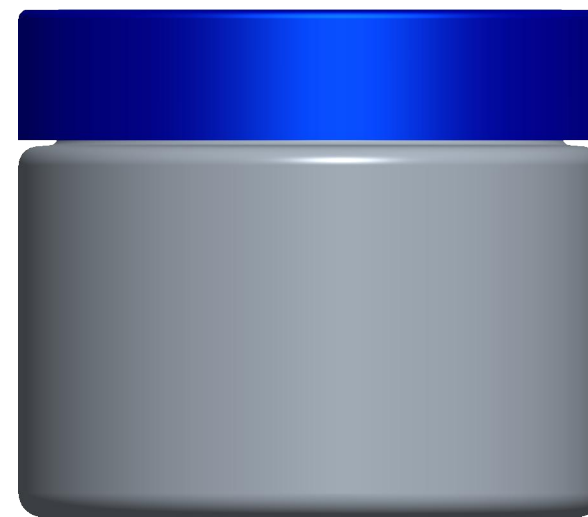
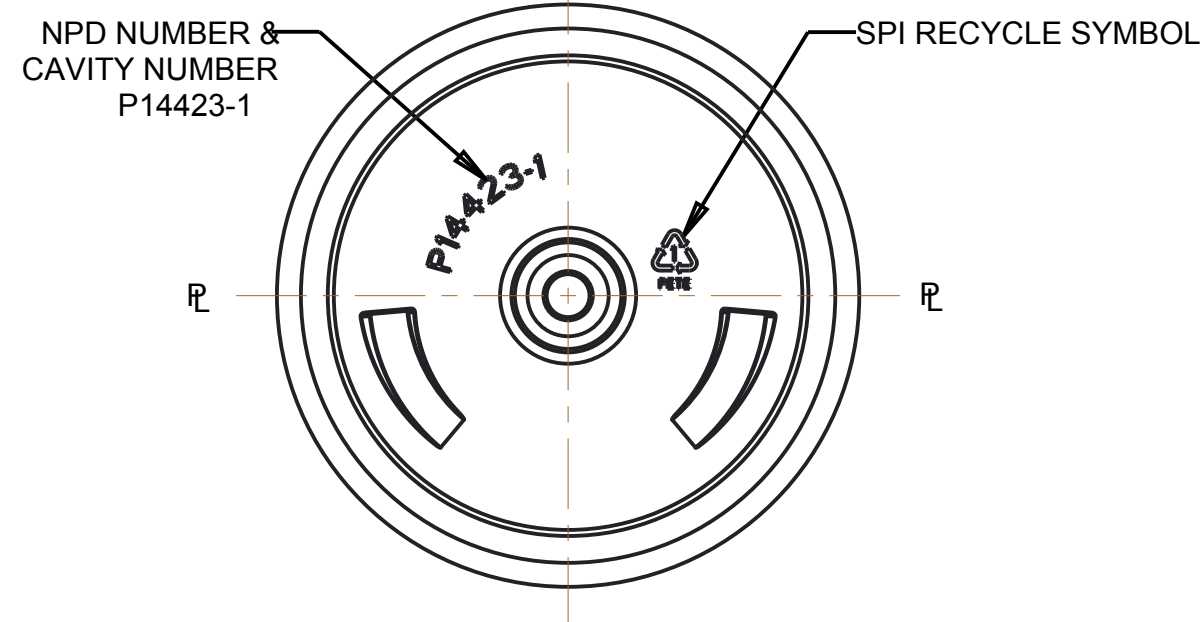
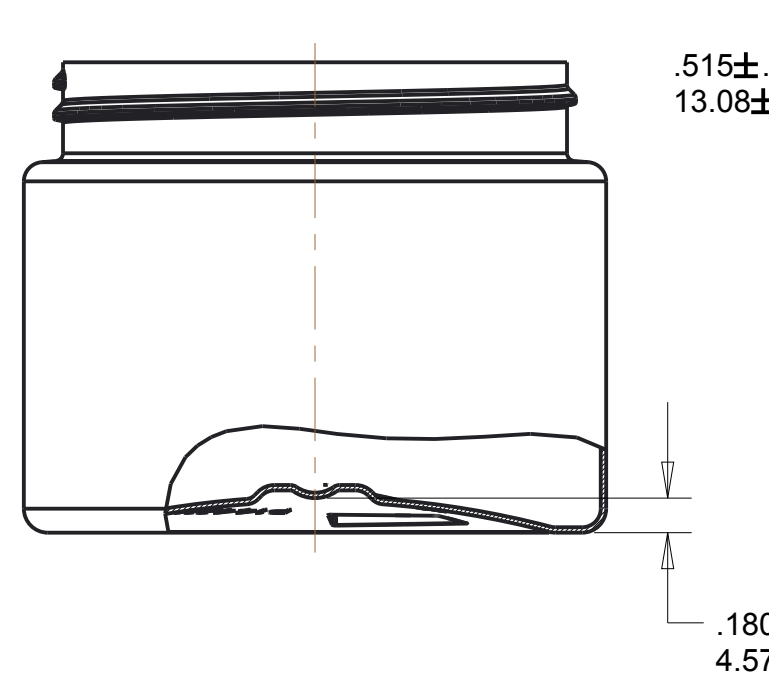
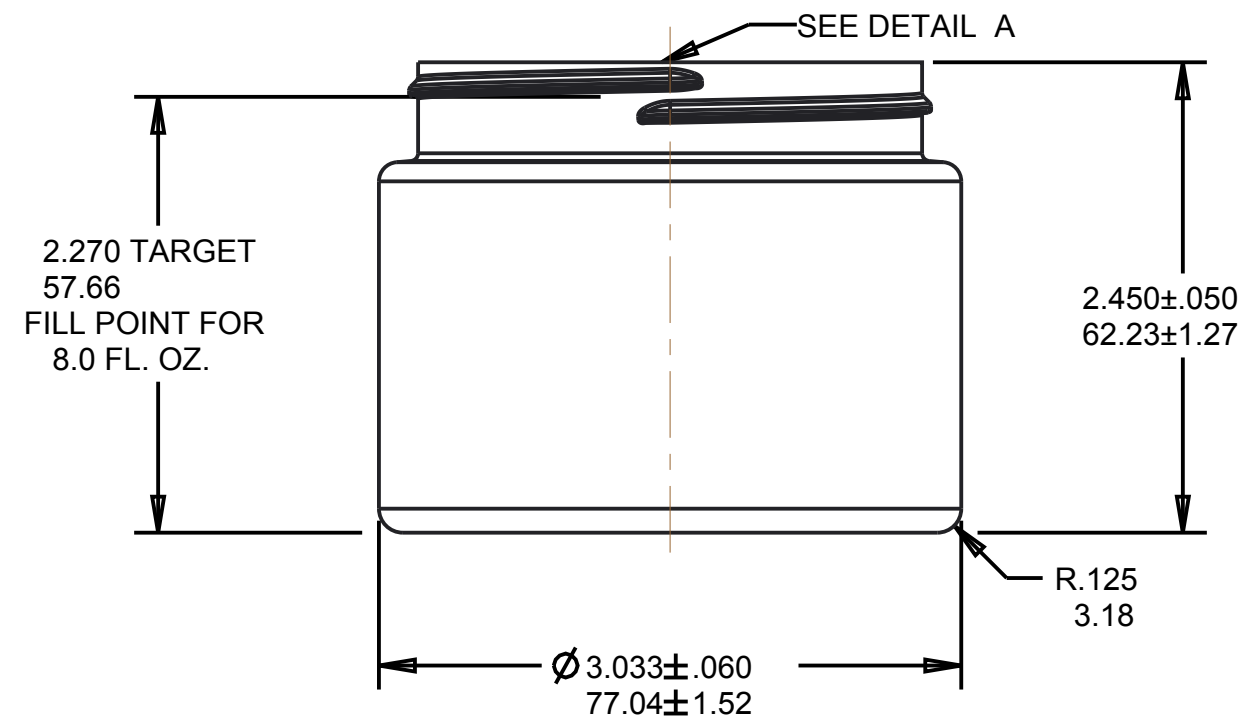
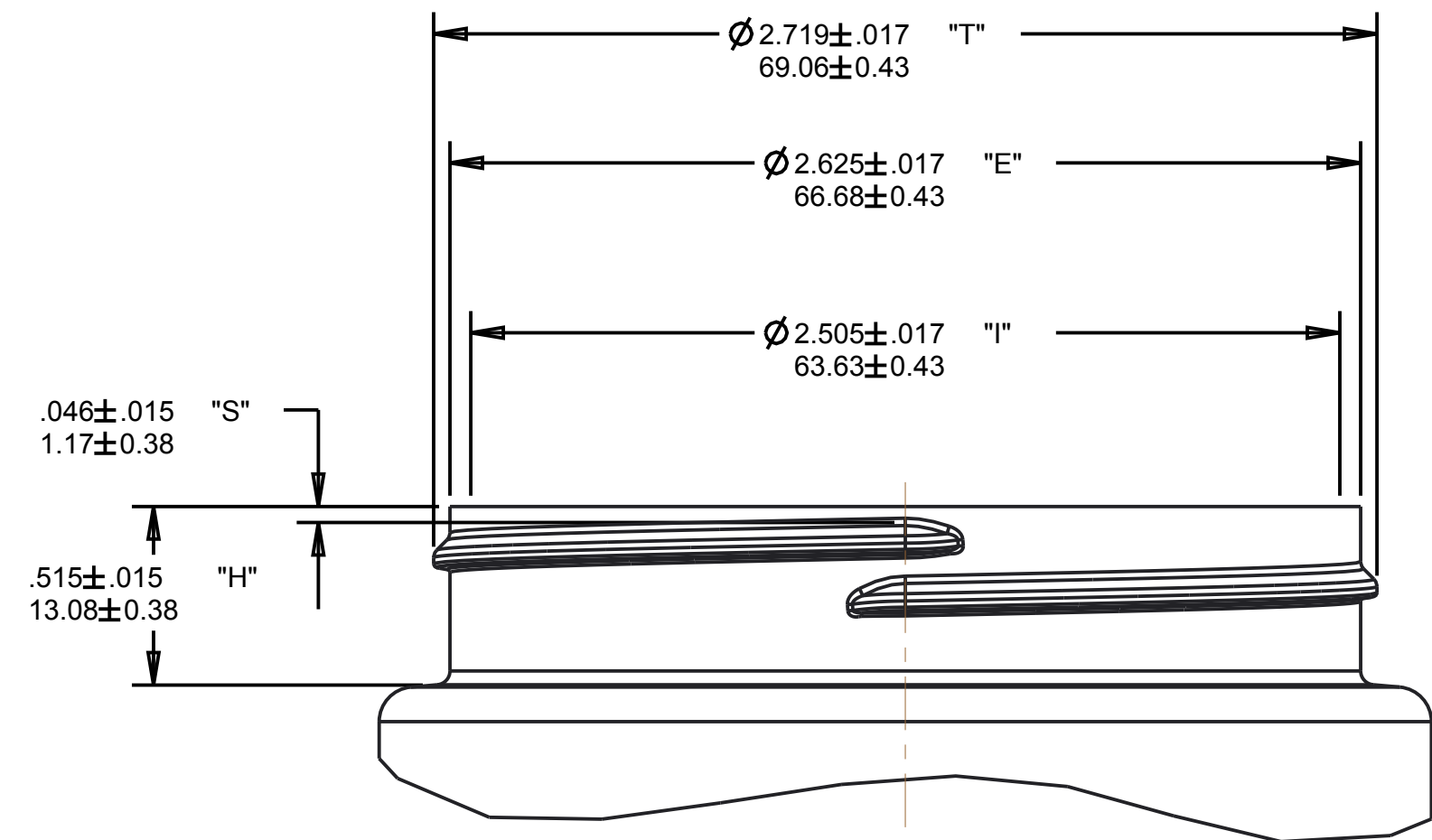
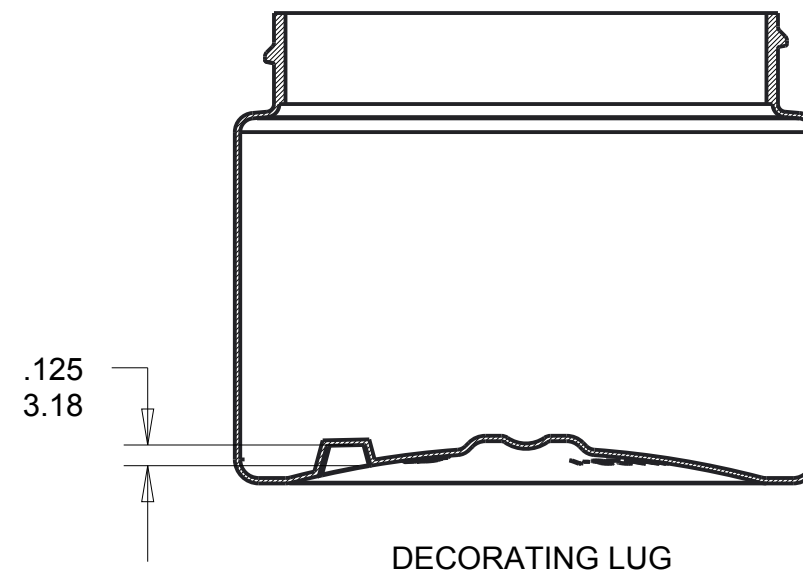


REV	E.C.N.	DESCRIPTION	BY	DATE
A		INITIAL RELEASE	ZAJ	06/26/18
B		MOVED ENGRAVING TO INSIDE THE DECORATING LUGS	JAZ	08/02/18
C		ADDED DECORATING LUG DETAIL & .125 WAS .075	JAZ	08/29/18
D		ADDED ALPHA LOGO	JAZ	10/17/18



ENGRAVING RAISED .010"

Specification General:	Min. Thk (in.)	Weight (g)	Overflow (mL)				
All measurements are in inches, [mm] Base engraving is subject to change location & size.	.008	22.0± 2.0g	251.0± 7.0cc	Scale:	NPD #:	Drawn By:	Date:
				1.000	14423	JAZ	Apr-11-18
Tolerance where not shown: Decimal ±0,05 [1,27] Angular ±1°	NECK FINISH:	M70 SPECIAL "H"		8 OZ. CANNABIS JAR			DwgRev
	MATERIAL:	PET		Approved By:	Drawing Number:		
					P0236JRRD070A		