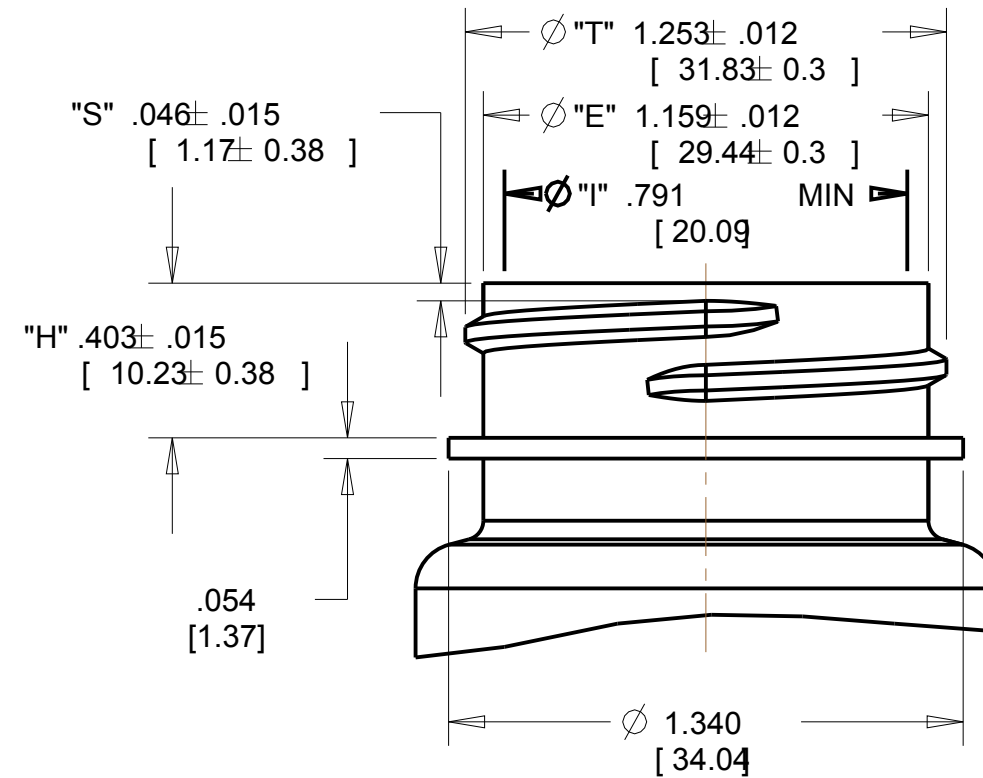
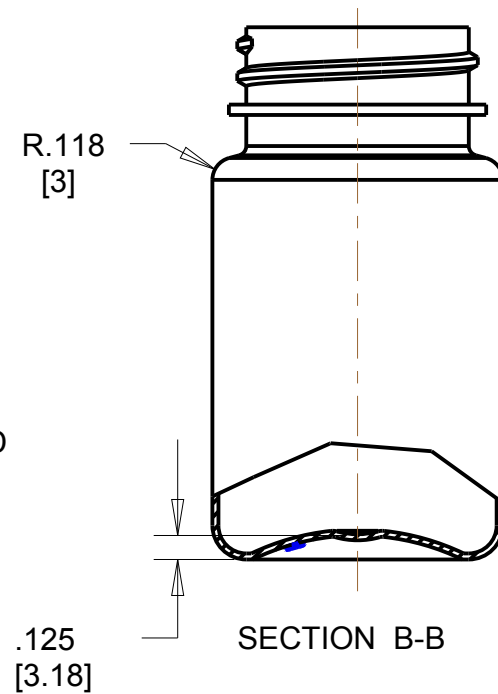
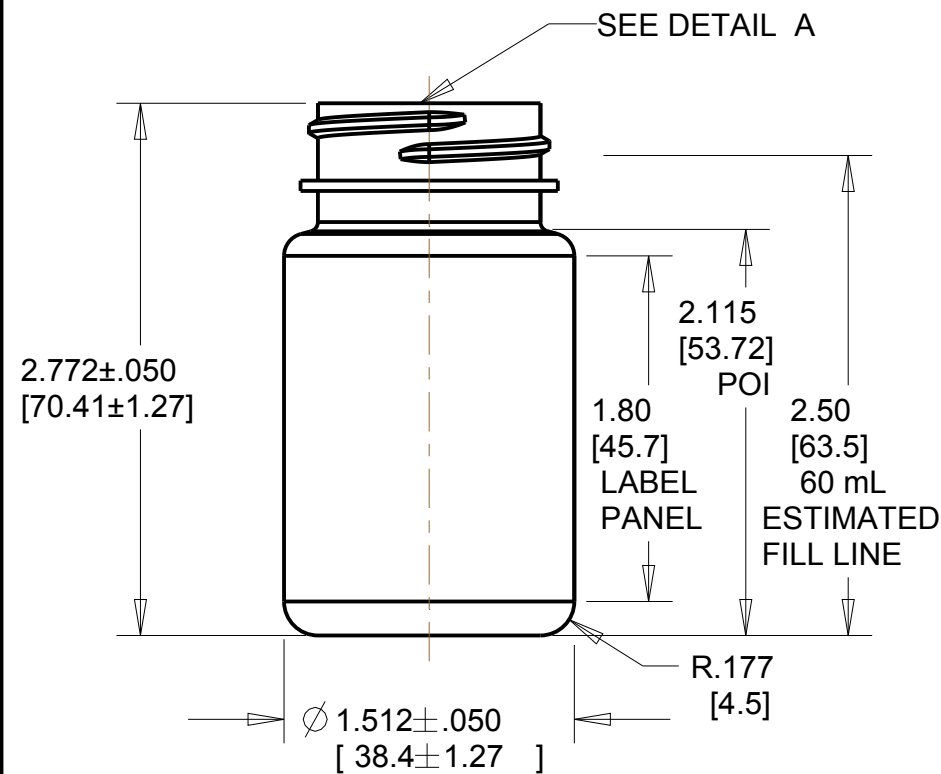
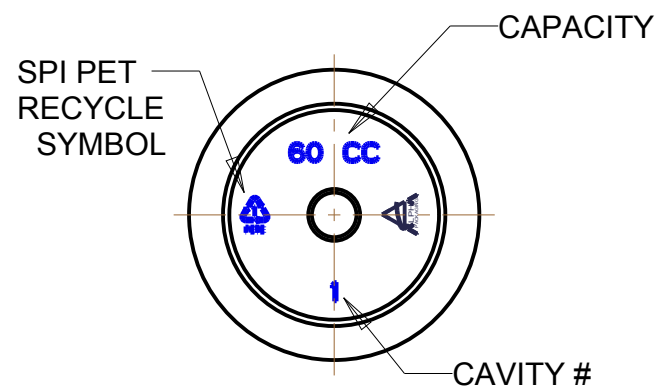



REV	E.C.N.	DESCRIPTION	BY	DATE
A	180	Weight was 11.0g. Min wall was .008".	RAB	03-06-18



DETAIL A  
L33SP400 FINISH  
6 TPI, 1 TURN  
"I" DEPTH .250" MIN  
SCALE 2.000



Specification General:	Min. Thk (in.)	Weight (g)	Overflow (mL)				
All measurements are in inches, [mm]	.010	11.5± 1.0	63.7± 3.5	Scale:	NPD #:	Drawn By:	Date:
Base engraving is subject to change location & size.				1.000	1069	RAB	Oct-15-13
Tolerance where not shown:	NECK FINISH:	L33SP400		60 CC STRAIGHT SIDED PACKER			DwgRev
Decimal ±0.05 [1.27] Angular ±1°	MATERIAL:	PET		Approved By:			A
				Drawing Number:			
				P0060PKSS033A			