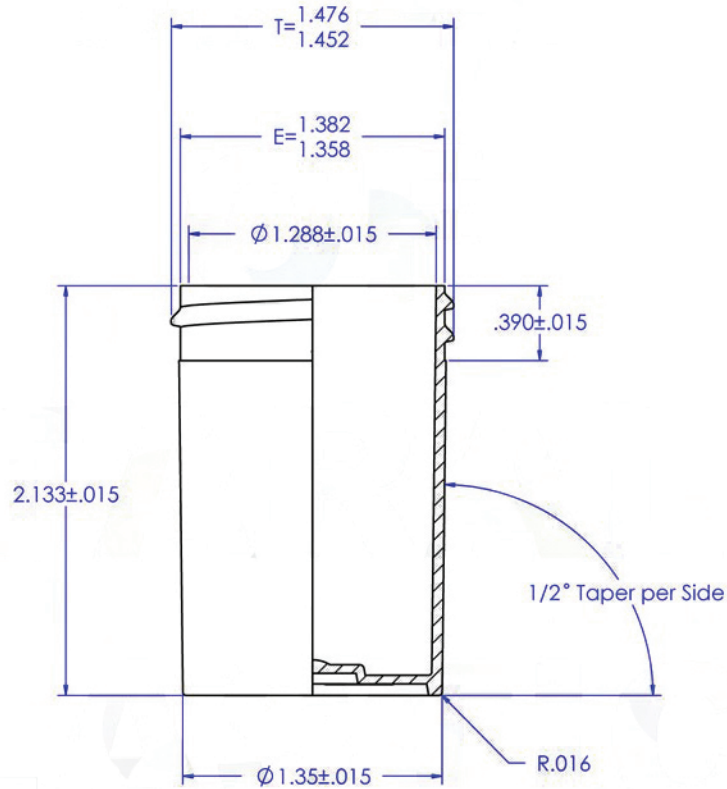


# 1oz 38mm

## STRAIGHT SIDED PLASTIC JAR



### DECORATION AREA

WRAP: 4.30 inch

HEIGHT: 1.4 inch

DRAFT:  $1/2^\circ$  per Side

NAME	DATE
DRAWN	W. OTT 03/21/2012
MATERIAL	PP
APPROX WEIGHT:	8.3 grams
APPROX OVERFLOW:	41.5 ml
THREAD:	"M" STYLE, 6 TPI PITCH

COMMENTS:



PART DESCRIPTION:	
1oz 38mm-400	
SIZE	PART CODE
<b>A</b>	1-38-PP
SCALE: 1:1	DO NOT SCALE DRAWING
SHEET 1 OF 1	REV. -

TOLERANCE		REVISIONS	
DIM.	TOL.	REV.	DATE
.00	.015		
.000	.010		